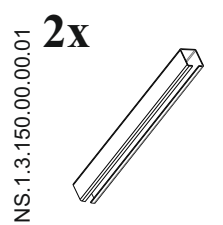
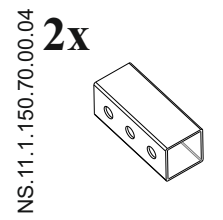
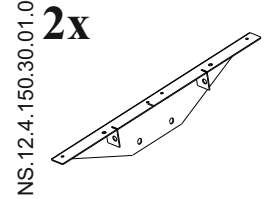
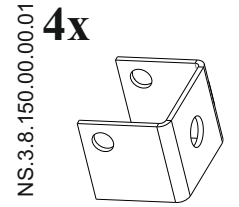
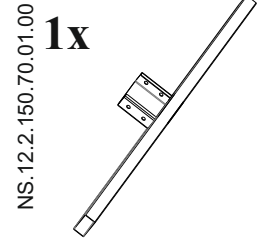
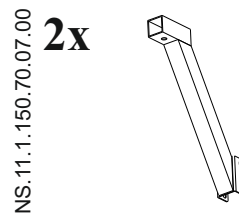
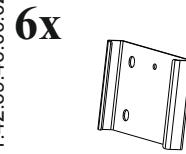
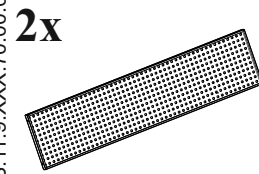
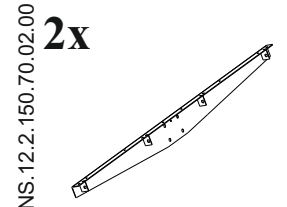
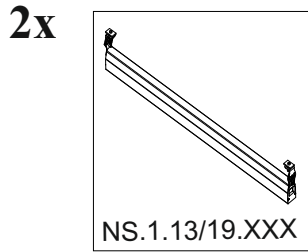
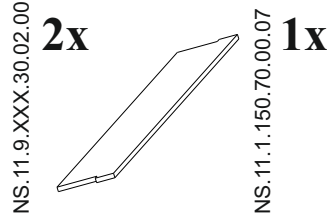
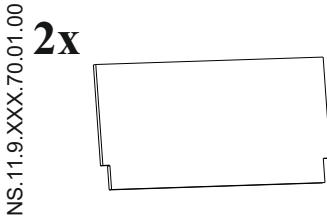
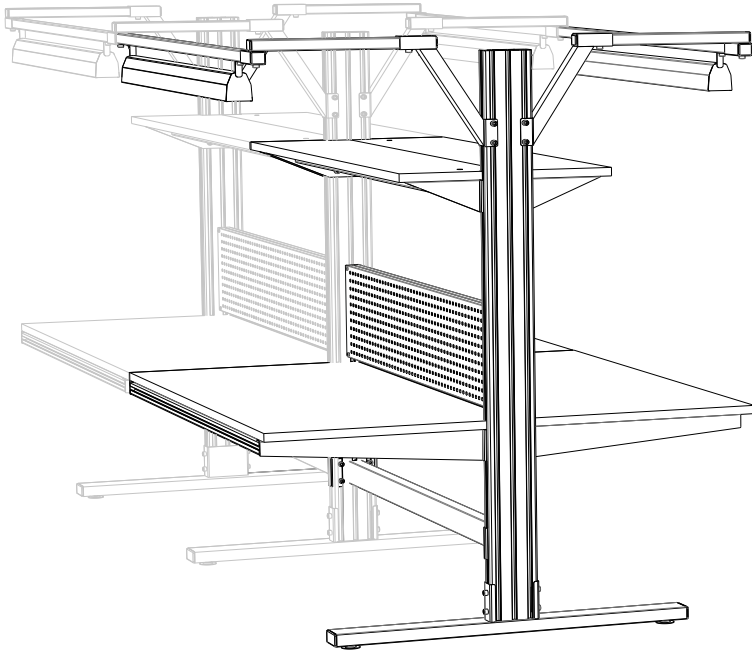
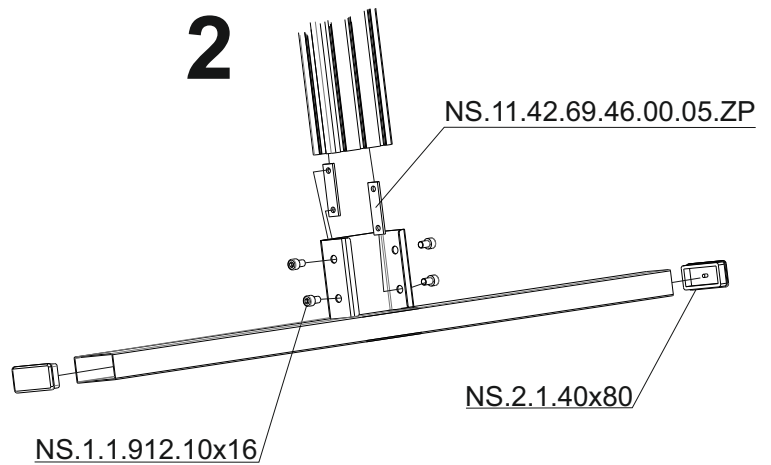
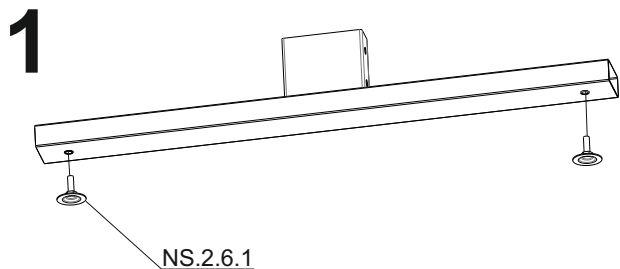


NSLAB



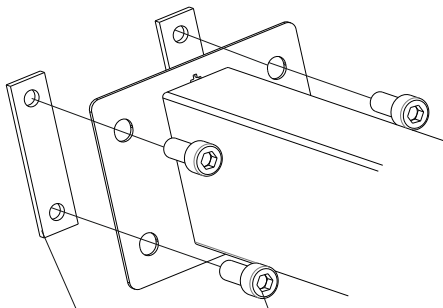
66x NS.1.1.912.10x16 	2x NS.1.1.912.10x60 	4x NS.1.2.7985.6x50 	4x NS.1.2.7985.6x16 	38x NS.11.42.69.46.00.05.ZP 	12x NS.11.42.69.46.00.06.ZP 	24x NS.1.3.14.5x50 	20x NS.1.3.7.4x16 	4x NS.1.5.1587.6 	8x NS.1.5.934.6 	4x NS.1.4.125.6
------------------------------------	-----------------------------------	-----------------------------------	-----------------------------------	---	---	----------------------------------	---------------------------------	--------------------------------	-------------------------------	-------------------------------

1x NS.2.1.135x45 	2x NS.2.6.1 	2x NS.2.1.40x40 	4x NS.2.1.35x35 	1x NS.3.1.1.1
--------------------------------	---------------------------	-------------------------------	-------------------------------	-----------------------------



3

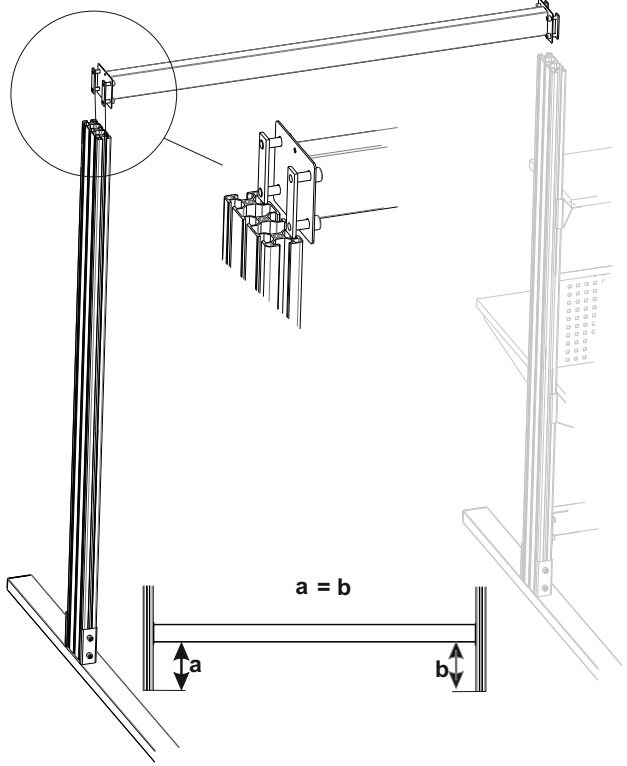
x2



NS.11.42.69.46.00.05.ZP

NS.1.1.912.10x16

4



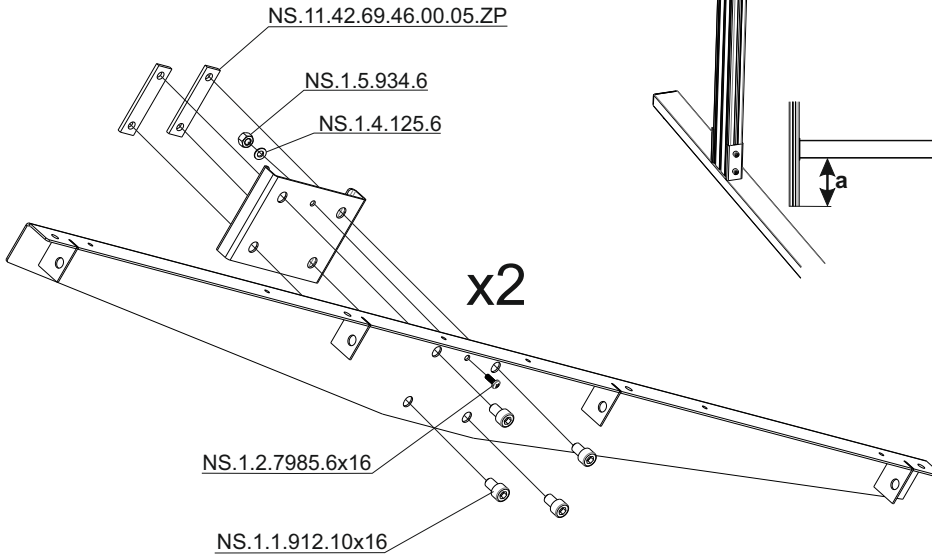
a = b

a

b

5

x2



NS.11.42.69.46.00.05.ZP

NS.1.5.934.6

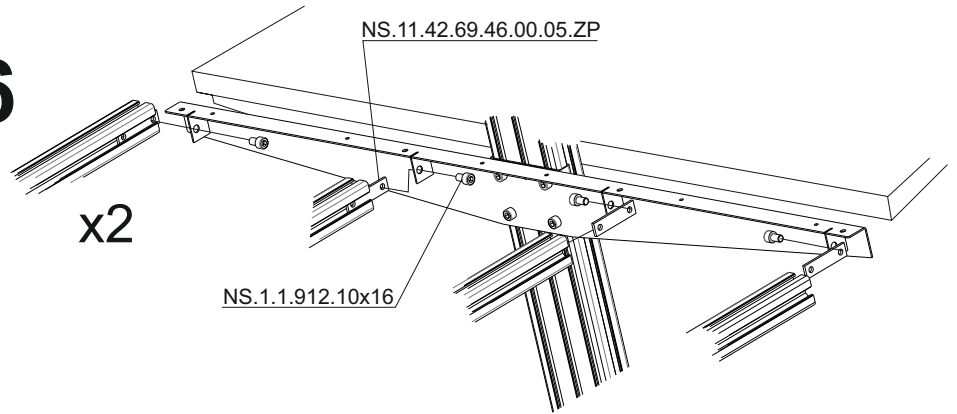
NS.1.4.125.6

NS.1.2.7985.6x16

NS.1.1.912.10x16

6

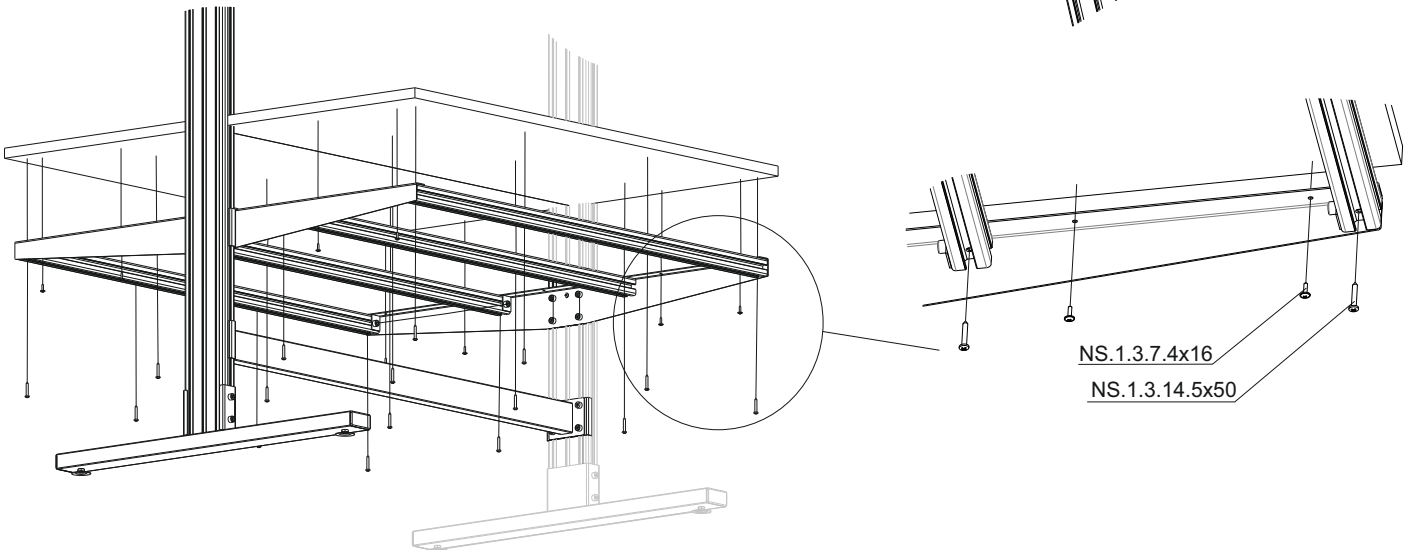
x2



NS.11.42.69.46.00.05.ZP

NS.1.1.912.10x16

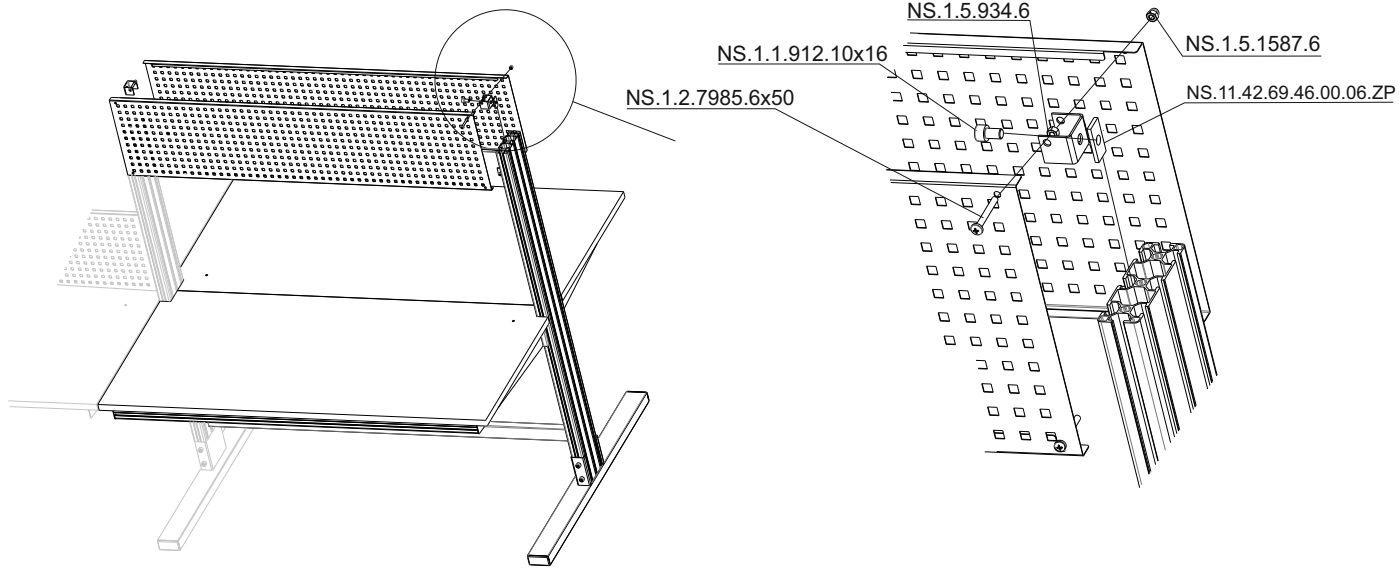
7



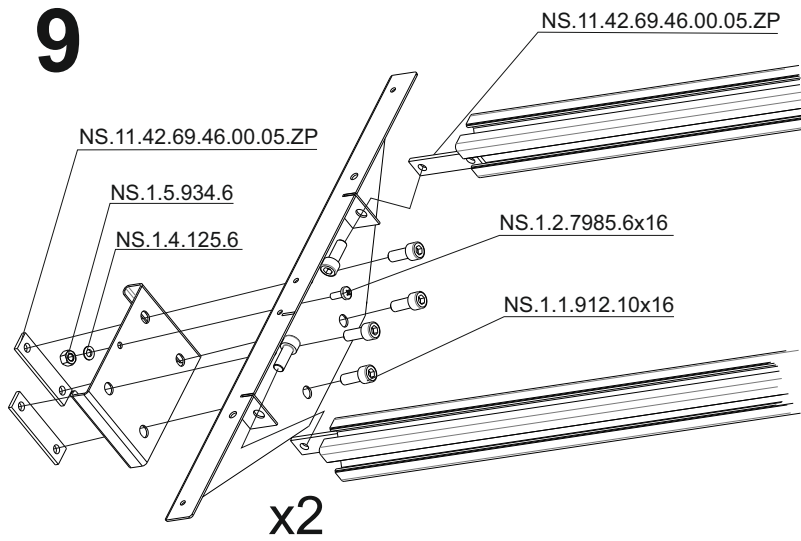
NS.1.3.7.4x16

NS.1.3.14.5x50

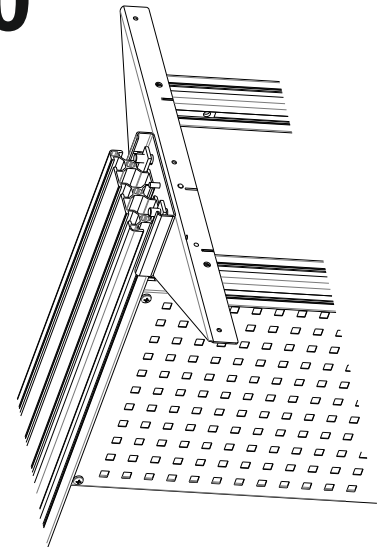
8



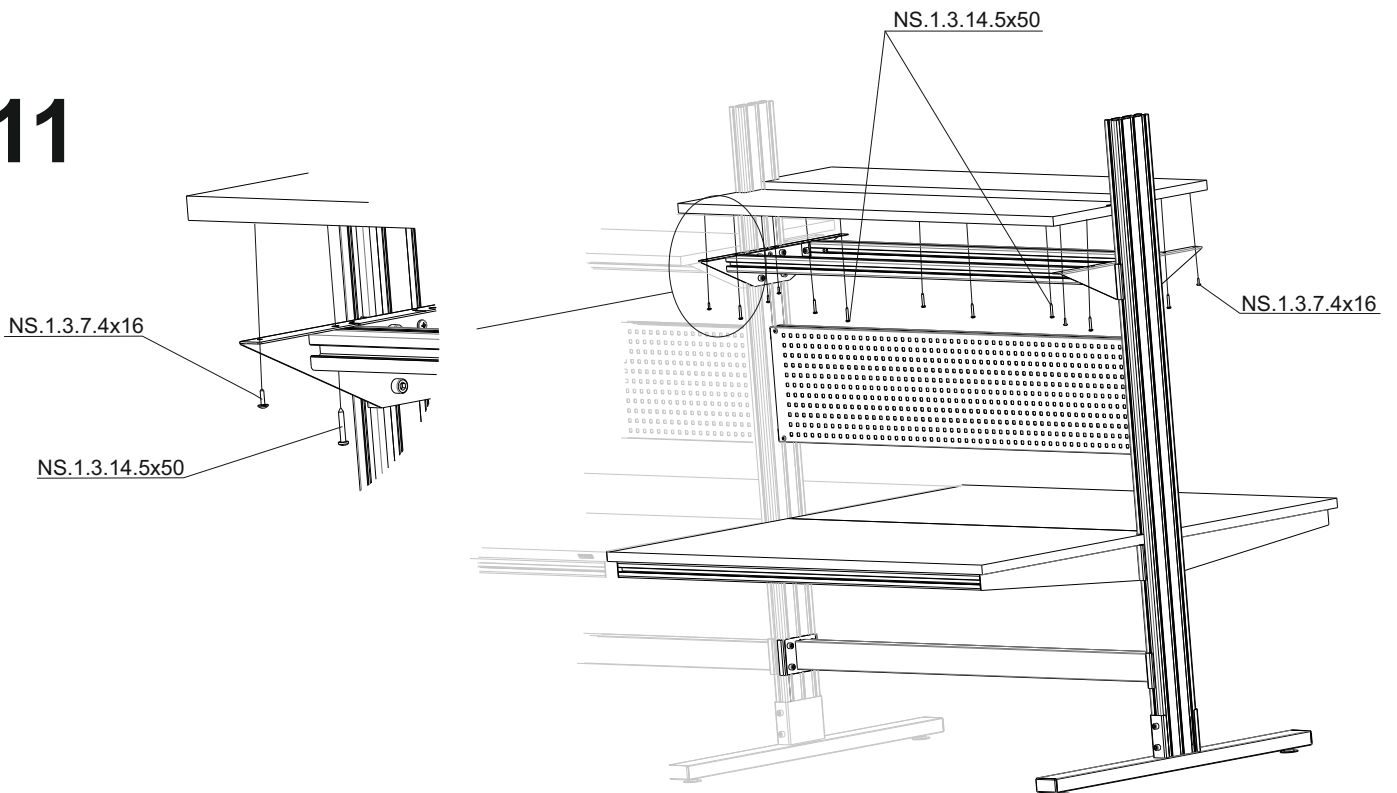
9



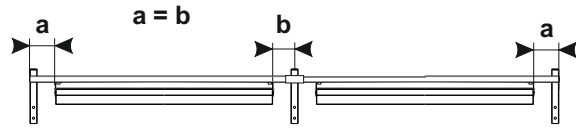
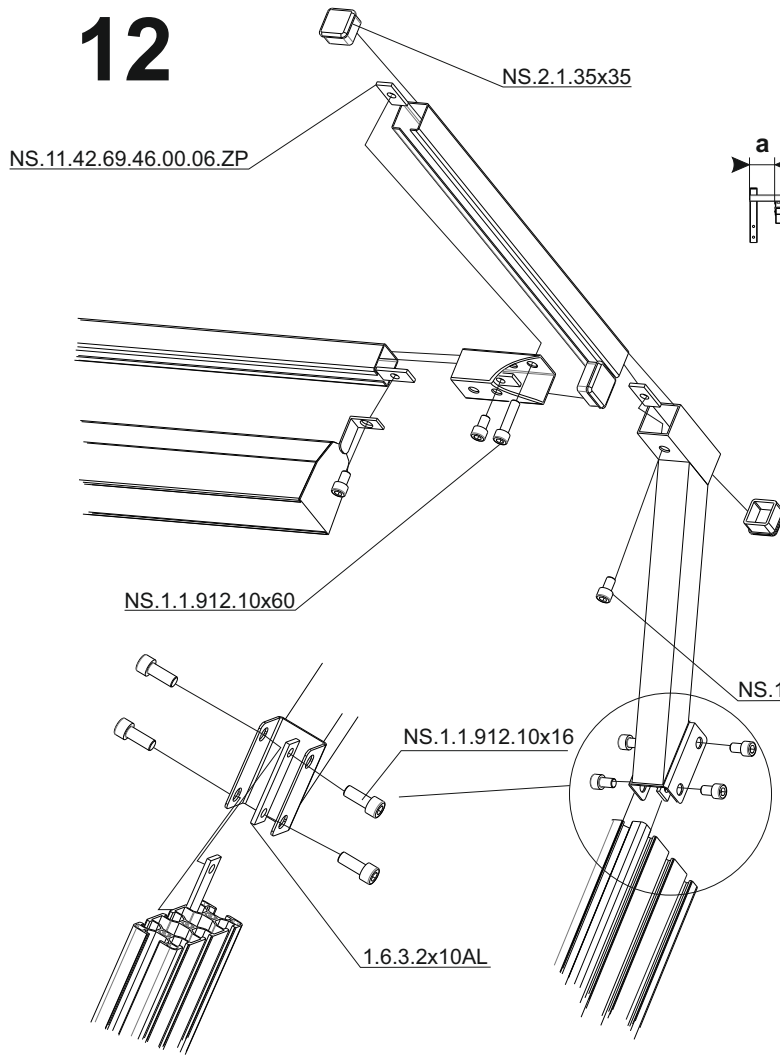
10



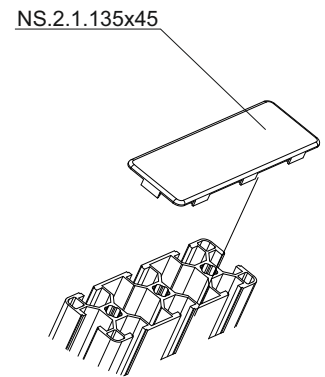
11



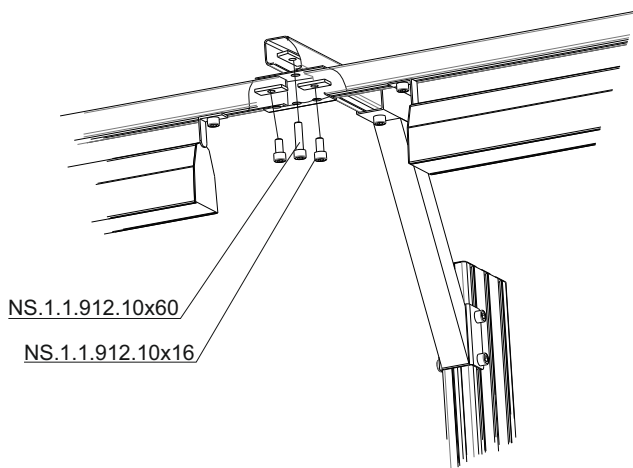
12



14



13



15

