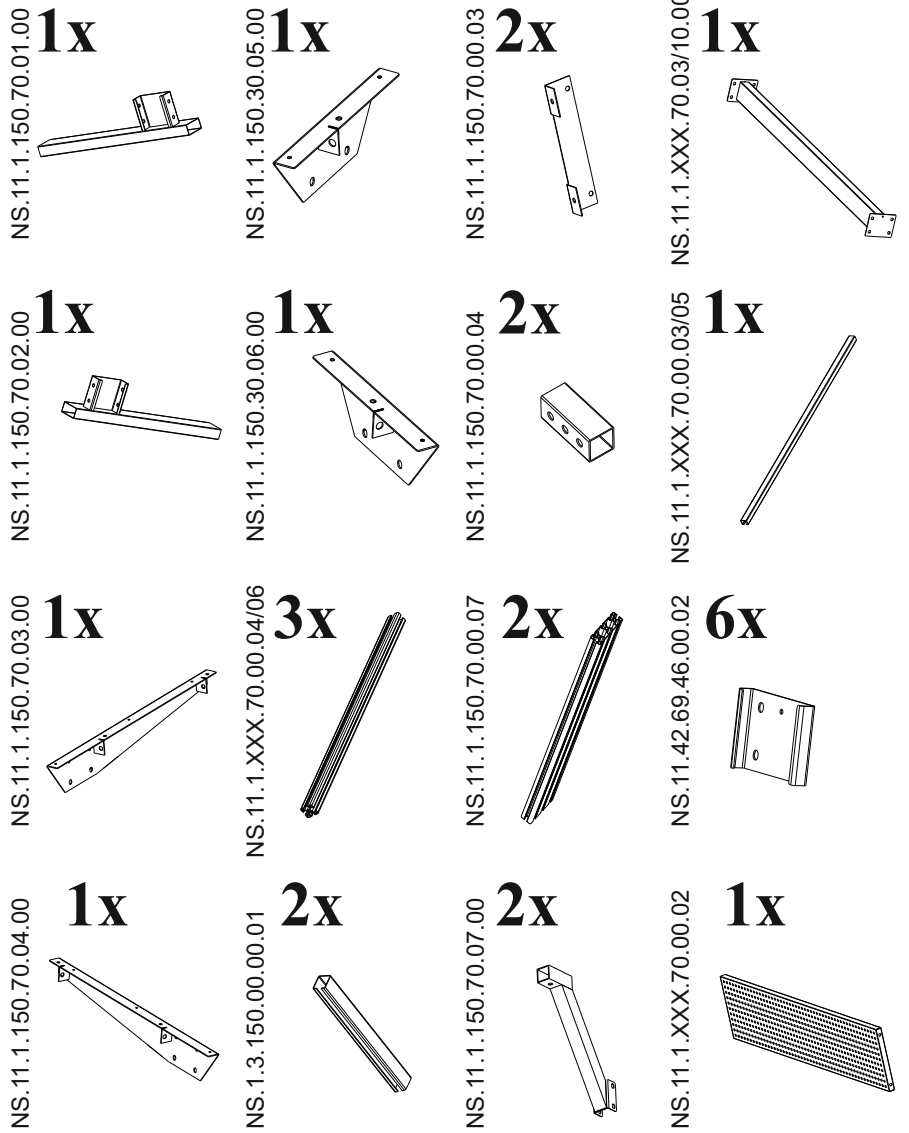
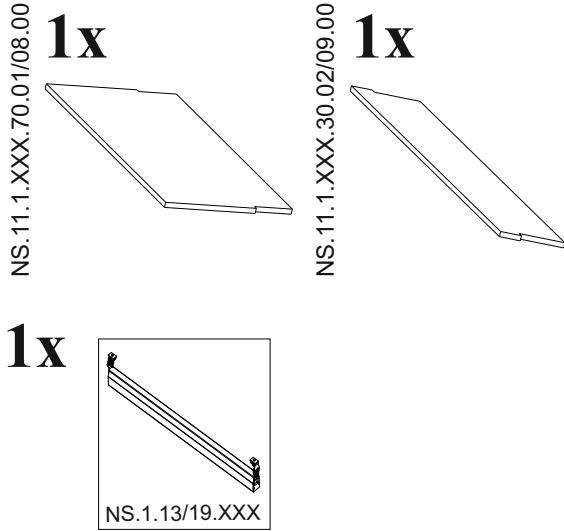
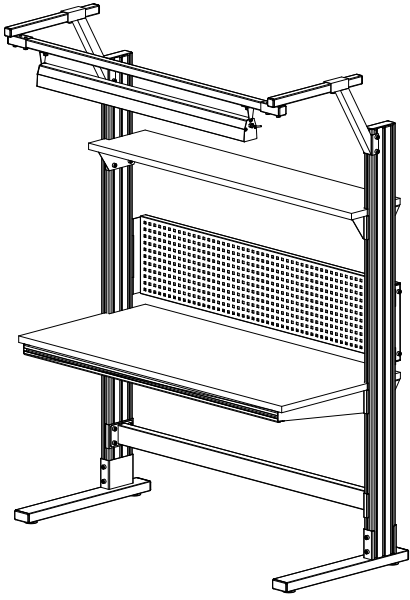
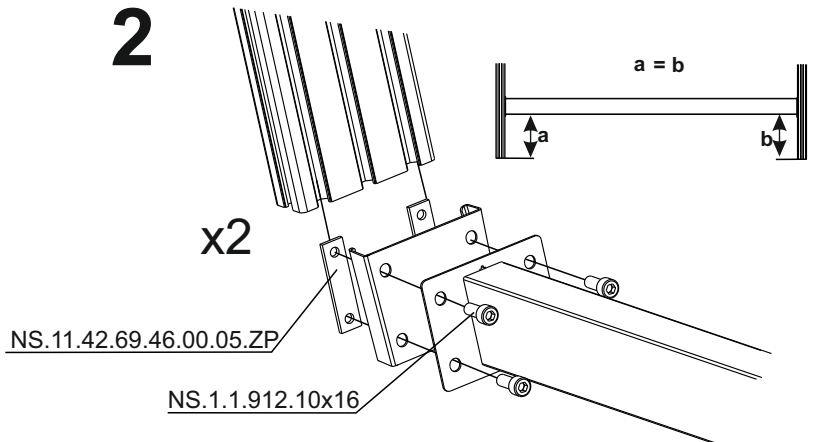
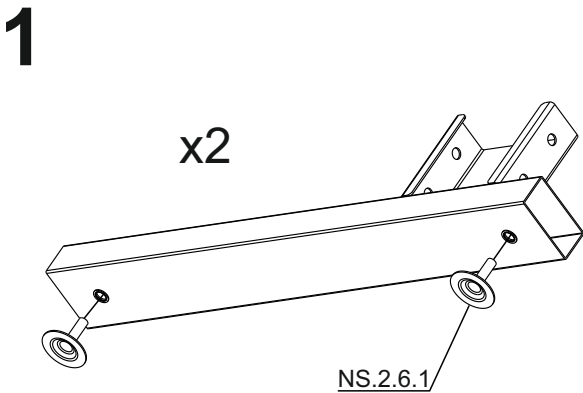


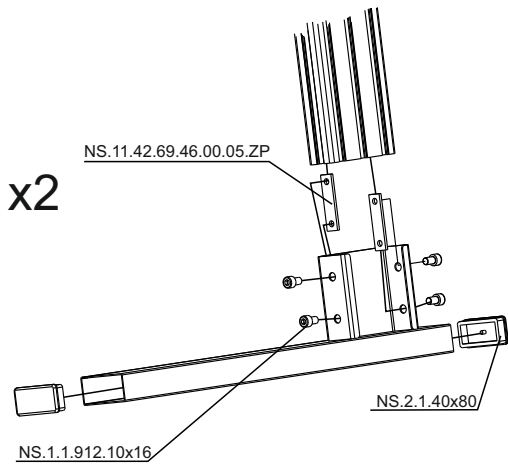
NSLAB



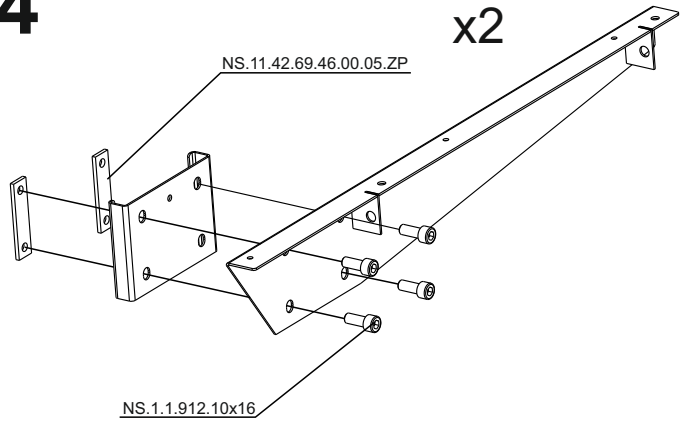
62x NS.1.1.912.10x16	2x NS.1.1.912.10x60	30x NS.11.42.69.46.00.05.ZP	14x NS.11.42.69.46.00.06.ZP	12x NS.1.3.14.5x50	4x NS.2.6.1	4x NS.2.1.40x80	2x NS.2.1.40x40	4x NS.2.1.35x35	2x NS.2.1.135x45	10x NS.1.3.7.4x16	1x NS.3.1.1.1
--------------------------------	-------------------------------	---------------------------------------	---------------------------------------	------------------------------	-----------------------	---------------------------	---------------------------	---------------------------	----------------------------	-----------------------------	-------------------------



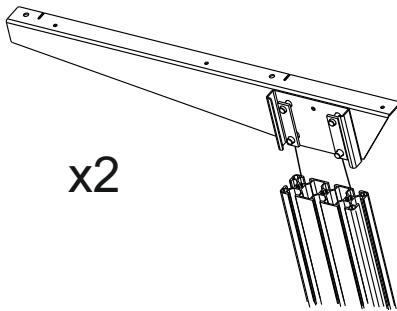
3



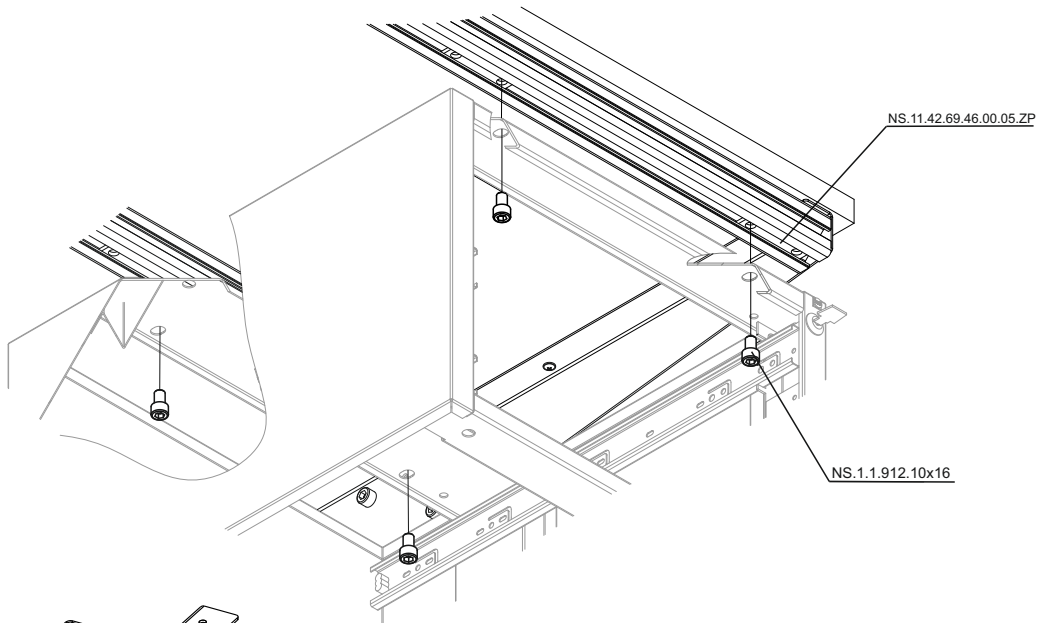
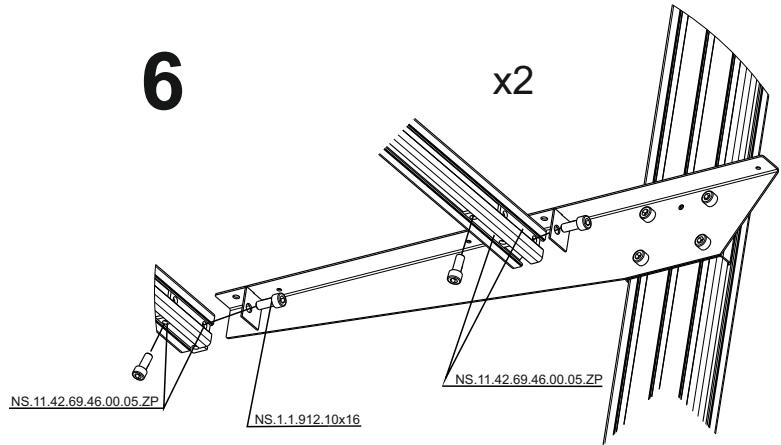
4



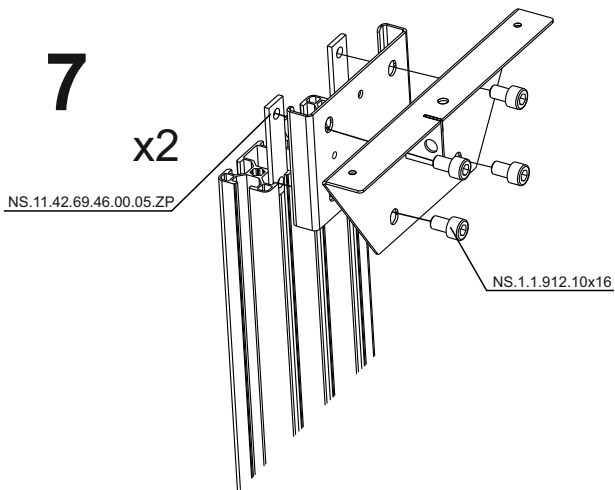
5



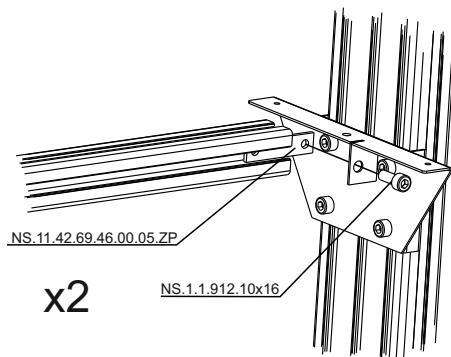
6



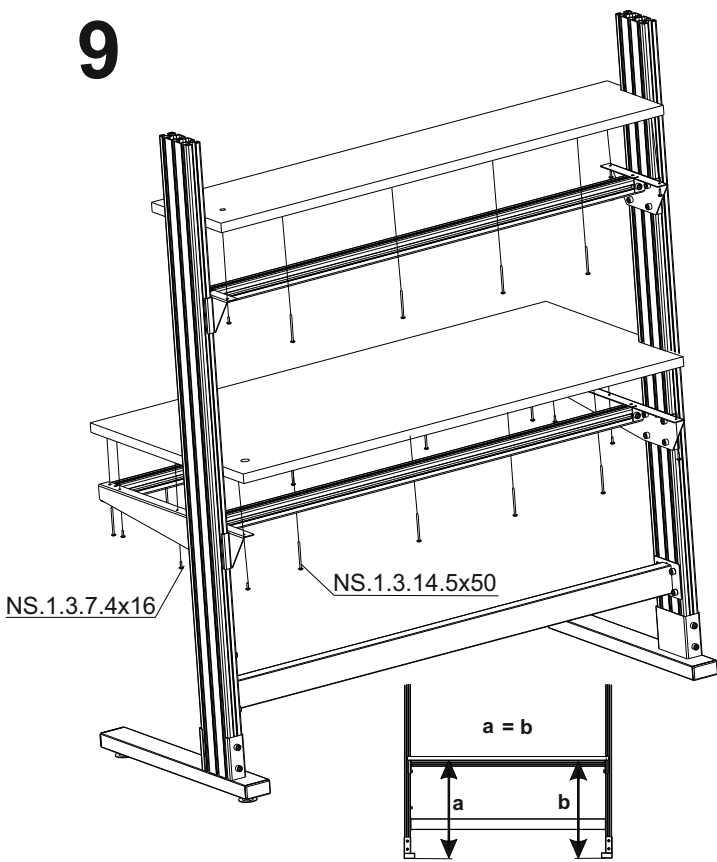
7



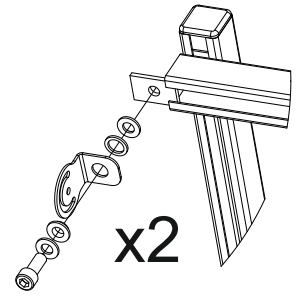
8



9



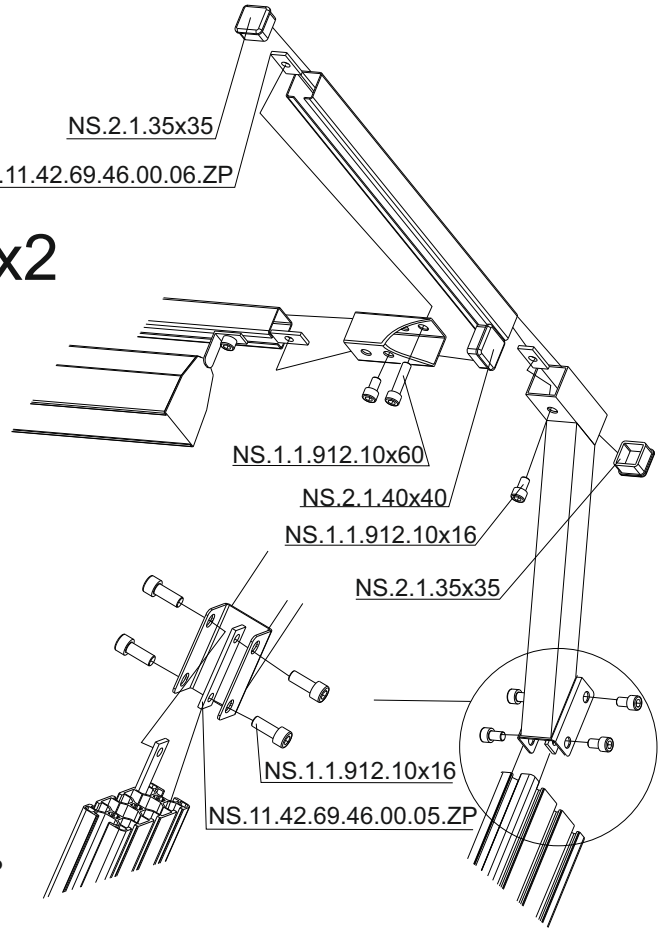
10



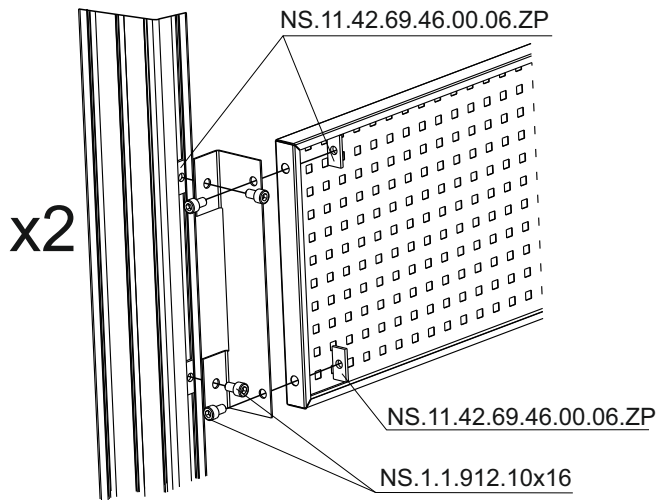
11

NS.2.1.35x35
NS.11.42.69.46.00.06.ZP

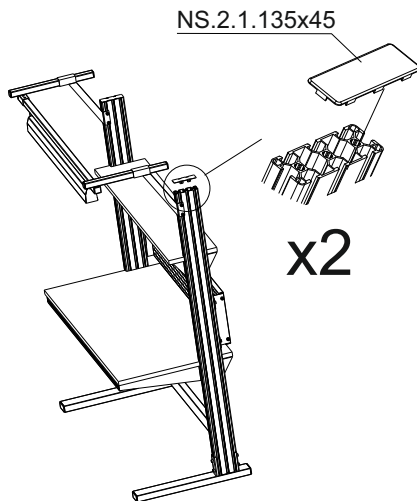
x2



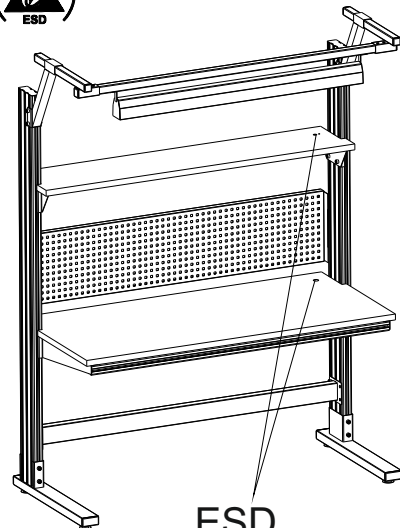
12



13



14



ESD

